

3.1 Channel Inflow Cover BL/KSP

Article Index: 140 - 141 & 150 - 152

Light design

Square/rectangular form

Tension system, spring tension

Article Index	140 (NS) & 150 (ES)	141 (NS) & 151 (ES)	142 (NS) & 152 (ES)
Dimensions:			
Standard	625 x 400 x 350 x 3 mm	625 x 625 x 350 x 3 mm	Ø 830 x 350 x 3 mm
Weight:			
Standard:	9,0 kg	12,5 kg	12,5 kg

3.1.1 Description

Suitable for crack-free surfaces with up to 20 mm of floor/ground unevenness on concrete and asphalt, e.g. concrete grooves, standard inflows according to DIN, etc.

The cover body is designed as a strong 3 mm metal plate upon which a pipe is perpendicularly welded for the guiding of a clamping pressure lever. Gripping braces increase the strength and serve for the optimal distribution of pressure. The pressure/tension lever running through the vertical pipe is capable of being folded over on the top side and is provided with a tip on the lower end which engages on the gutter grate. By means of spring tension, a special seal applied around

the bottom side of the plate is compressed and adapted to the unevenness of the floor/ground surface. A safe, tight seal is thus guaranteed.

At the location where the cover will be used, storage is possible on wall hooks or stands by means of the attached eyelets.

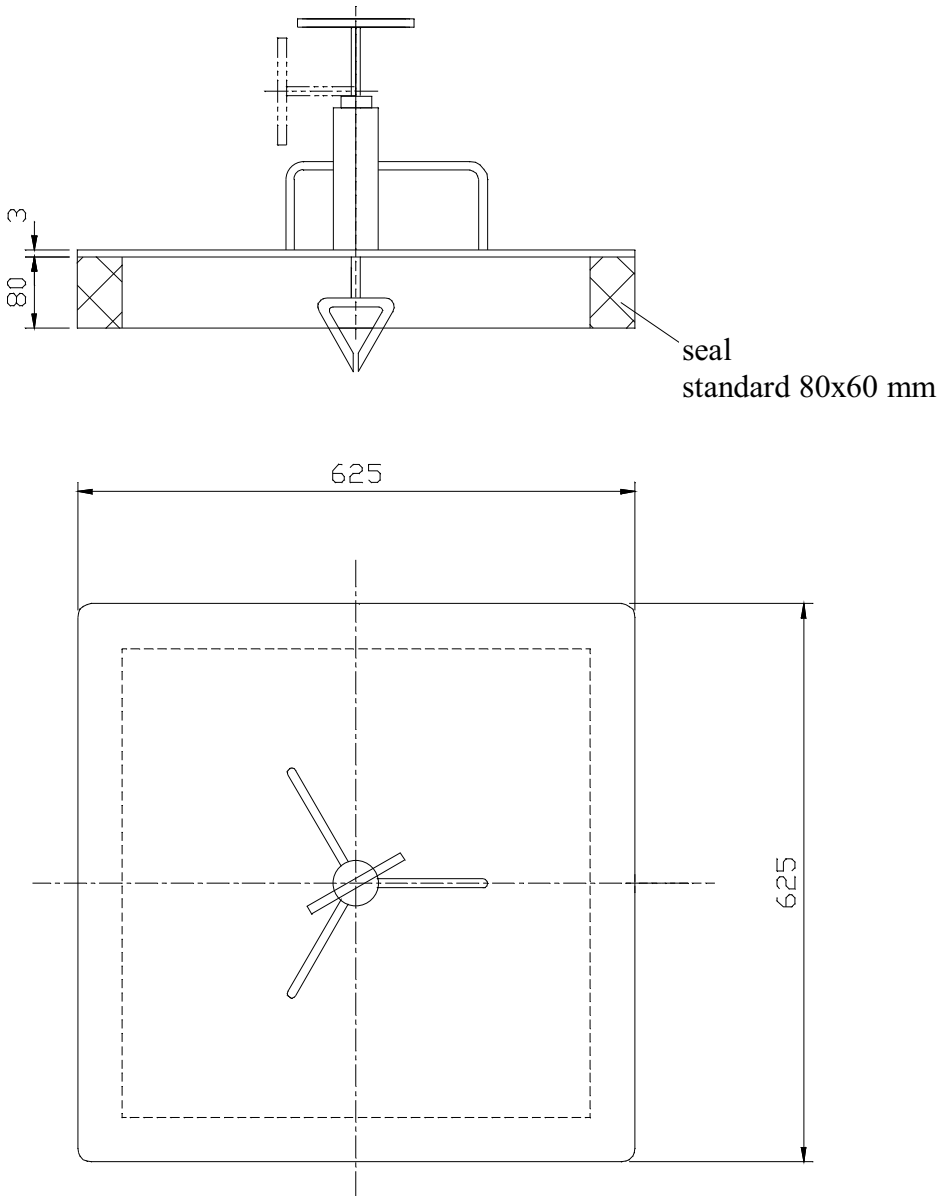
The barrier body is made of normal steel, primed, painted or powder coated, generally with a red finish ("traffic red" RAL 3020).

Upon request, the cover can be galvanized or provided in a superior-alloy steel design.

Features:

- **Universal implementation,**
- **Manufactured according to LGA-Guideline 3/93 for emergency systems**
- **Proven in fire fighting industry (IdF, Fire Brigade Institute, Heyrothsberge, Germany)**
- **Field-tested.**

3.1.2 Drawing



BL/KSP (Channel inflow cover – tension system, spring tension)

Seals by tensioning – light design – square/rectangular form

Dimensions: approx. 625 x 625 x 350 x 3 mm
625 x 400 x 350 x 3 mm

Weight: approx. 12.5 kg
approx. 9.0 kg

Europe

Blobel Umwelttechnik GmbH

Ziegeleistraße 5
86368 Gersthofen, Germany

Telephone: +49 (0)821 498190-0
Telefax: +49 (0)821 498190-30

email: info@blobel.de
Web: www.blobel.de

North America / Canada

BLOBEL Environmental Engineering LLC

270 Presidential Drive
Wilmington, Delaware 19807, USA

Telephone: +1 302-353-1555
Telefax: +1 302-288-3753
Mobile: +1-215-666-2267

email: info@blobel.us
Web: www.blobel.com

Asia / Pacific / South America

Blobel Environmental Engineering

6/41 Belgrave Street
Sydney NSW 2024, Australia

Telephone: +61 (0)2/93 69 35 04
Mobile: +61 (0) 4 19 27 94 81

email: mail@blobel.com
Web: www.blobel.com