

1.5 Retention barrier type BL/BTL-TR

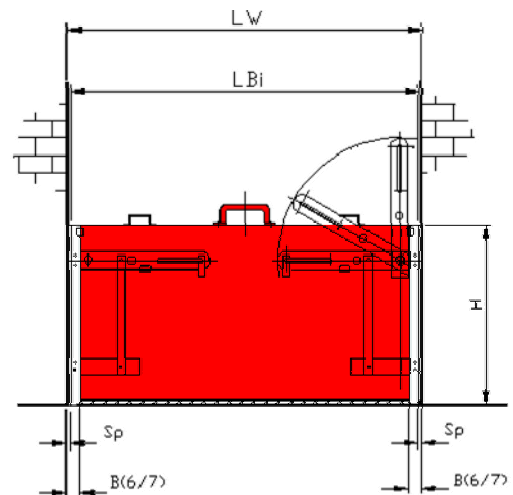
Article root number: 015

Barrier – slide-insert

Ideal where space is a problem

Designed for installation within the jamb

Dimensions:		
Standard height		350 to 600 mm
Special situations	up to	800 mm
Standard length	up to	2500 mm
Special situations	up to	6000 mm
Width		50 mm



1.5.1 Description

Suitable for crack-free surfaces with up to 15 mm (± 7.5 mm) of floor/ground unevenness, e.g. concrete, corrugated sheet metal, tiles, stones, etc.

The closure barrier is comprised of a rectangular, integral hollow aluminium profiled body. A compressible, highly adaptable special seal is affixed to the lower side.

The barrier mounts are "U"-shaped and are particularly narrow in their design. By way of preference, they are securely and universally mounted within the jamb of a door/gate, between walls, etc. and tightly sealed against the building or structure. Mounting outside of the doorjamb is also possible with a special version.

Two swivelling tension levers are attached on the body of the barrier by means of four fixing devices. With these tension levers, the necessary force can be applied with respect to the guide rails and the floor/ground to secure the body of the barrier into place. The contact pressure is adjustable. The levers lock into place.

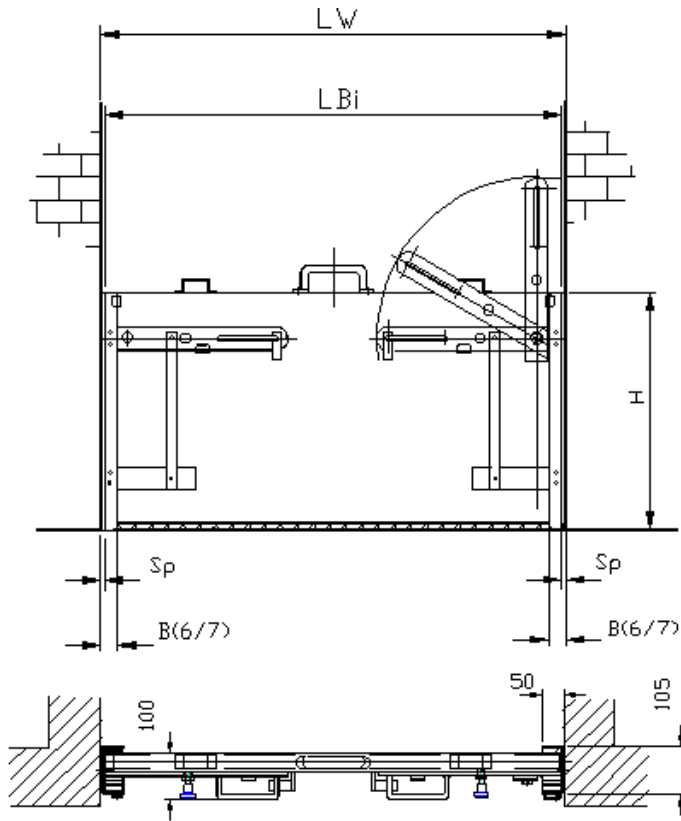
Wall mounts are included in the product package to provide for orderly storage.

Barrier bodies and mounting fixtures are furnished with a red paint finish, preferably "traffic red" RAL 3020. The remaining metal components are galvanized or made of aluminium.

Features:

- Ease of use and high degree of adaptability
- Design-tested (LGA, Trade Supervision Department - Bavaria, Germany)
- Quality-monitored (LGA, Trade Supervision Department - Bavaria, Germany)
- Tested by the fire-fighting industry as basic model BTL (IdF, Fire Brigade Institute, Heyrothsberge, Germany).

1.5.2 Drawing – "within the doorjamb"

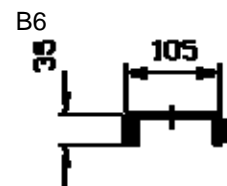


BL / BTL-TR (Barrier – within the doorjamb - slide-insert - with transmission)

Table of dimensions for specified dimension Lwi (Lwi = barrier length, within the jamb)

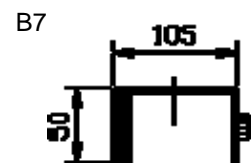
B6 / 35

Height H [mm]	Lwi [mm]	$L_{wi} = L_w - (2 \times Sp_6)$ $Sp_6 = 10 \text{ mm}$
400, 450	up to 2500	
500, 550		
600, 650		
700, 750		
800		

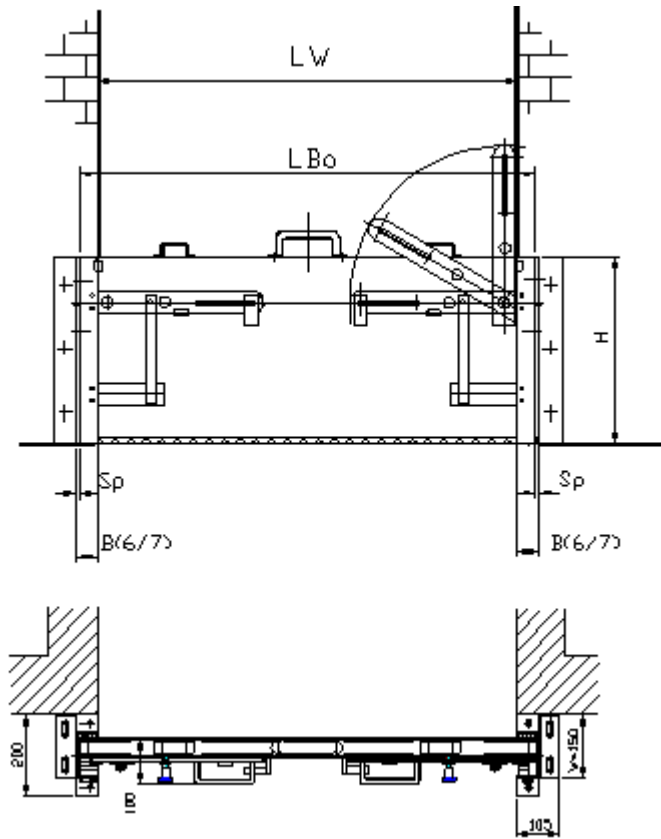


B7 / 50

Height H [mm]	Lwi [mm]	$L_{wi} = L_w - (2 \times Sp_7)$ $Sp_7 = 15 \text{ mm}$
400, 450	over 2500	
500, 550		
600, 650		
700, 750		
800		



1.5.3 Drawing – "outside of doorjamb"



BL / BTL-TR (Barrier - doorjamb - slide-insert - with transmission)

Table of dimensions for specified dimension LBa (LBa = barrier length, outside of jamb)

B6 / 35

Height H [mm]	LWi [mm]		B6
400, 450	up to 2500	$LBa = LW + 2 \times Z_6$ $Z_6 = \text{ad measurement} = 25 \text{ mm}$ $Sp_6 = 10 \text{ mm}$	
500, 550			
600, 650			
700, 750			
800			

B7 / 50

Height H [mm]	LWi [mm]		B7
400, 450	over 2500	$LBa = Lw + 2 \times Z_7$ $Z_7 = 40 \text{ mm}$ $Sp_7 = 15 \text{ mm}$	
500, 550			
600, 650			
700, 750			
800			

Europe

Blobel Umwelttechnik GmbH

Ziegeleistraße 5
86368 Gersthofen, Germany

Telephone: +49 (0)821 498190-0
Telefax: +49 (0)821 498190-30

email: info@blobel.de
Web: www.blobel.de

North America / Canada

BLOBEL Environmental Engineering LLC

270 Presidential Drive
Wilmington, Delaware 19807, USA

Telephone: +1 302-353-1555
Telefax: +1 302-288-3753
Mobile: +1-215-666-2267

email: info@blobel.us
Web: www.blobel.com

Asia / Pacific / South America

Blobel Environmental Engineering

6/41 Belgrave Street
Sydney NSW 2024, Australia

Telephone: +61 (0)2/93 69 35 04
Mobile: +61 (0) 4 19 27 94 81

email: mail@blobel.com
Web: www.blobel.com